



[Inicio](#) → [Búsqueda de especificación](#) → [Todas las clases](#) → [Boom Lift](#) → [JLG](#) → 600SJ 2WD

JLG 600SJ 2WD BOOM LIFT

[VER ARTÍCULOS ACERCA DE ESTE ÍTEM](#)

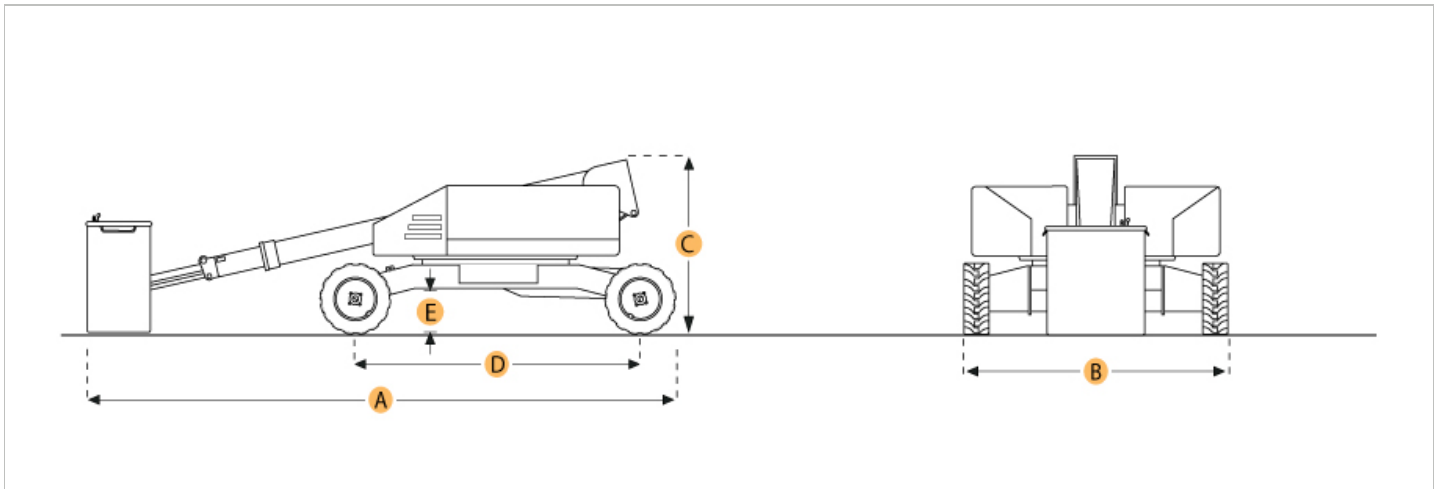
Imprimir especificación

¿Quiere comprar este equipo?

[Encuentre en JLG 600SJ 2WD Boom Lift](#) que esta siendo vendido en las subastas de Ritchie Bros.

¿Necesita vender equipos?

[Complete esta forma](#) y un representante de Ritchie Bros. lo contactará



Selected Dimensions

Dimensiones

| | | |
|----------------------------------|-----------|---------|
| A. LONGITUD TOTAL | 31 ft in | 9450 mm |
| B. ANCHURA TOTAL | 7.9 ft in | 2410 mm |
| C. OVERALL HEIGHT - MAST LOWERED | 8.4 ft in | 2570 mm |
| D. DISTANCIA ENTRE EJES | 8.1 ft in | 2460 mm |
| E. DESPEJE DESDE EL SUELO | 11.8 in | 300 mm |

Platform

| | | |
|-------------------------|------------|----------|
| F. MAX PLATFORM HEIGHT | 60.4 ft in | 18420 mm |
| G. MAX HORIZONTAL REACH | 50.4 ft in | 15370 mm |

Especificaciones

Engine

| | | |
|-------------|---------|-------|
| MAKE | Deutz | |
| MODEL | F4M2011 | |
| GROSS POWER | 64.4 hp | 48 kw |
| FUEL TYPE | Diesel | |

Operational

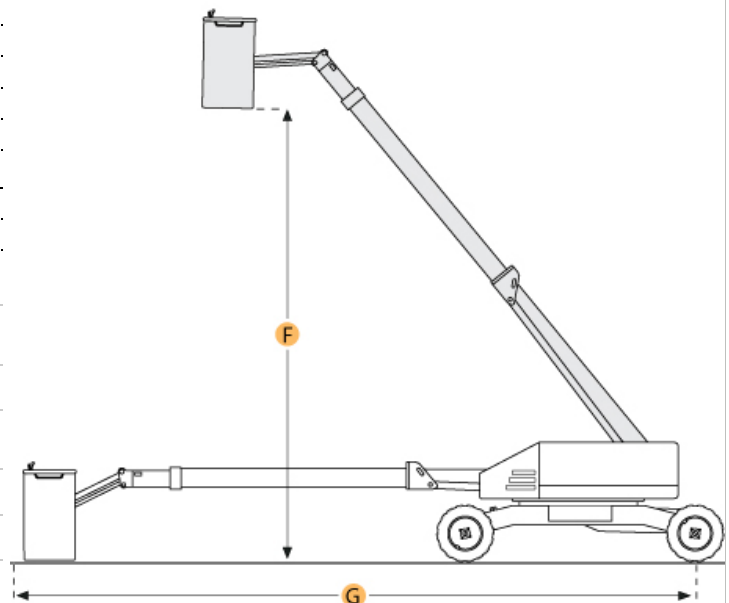
| | | |
|---------------------------------|------------|----------|
| OPERATING WEIGHT | 23900.3 lb | 10841 kg |
| FUEL CAPACITY | 39.9 gal | 151 L |
| HYDRAULIC SYSTEM FLUID CAPACITY | 32 gal | 121 L |
| MAX SPEED | 4.2 mph | 6.8 km/h |
| TIRE SIZE | 15 x 19.5 | |
| TIRE FILL/TYPE | Pneumatic | |

Platform

| | | |
|------------------------------|-------------|----------|
| MAX PLATFORM HEIGHT | 60.4 ft in | 18420 mm |
| MAX HORIZONTAL REACH | 50.4 ft in | 15370 mm |
| MAX PLATFORM WEIGHT CAPACITY | 500.4 lb | 227 kg |
| PLATFORM LENGTH | 96.1 in | 2440 mm |
| PLATFORM WIDTH | 35.8 in | 910 mm |
| PLATFORM ROTATION | 180 degrees | |

Dimensions

| | | |
|----------------|-----------|---------|
| OVERALL LENGTH | 31 ft in | 9450 mm |
| OVERALL WIDTH | 7.9 ft in | 2410 mm |



| | | |
|-------------------------------|------------|---------|
| OVERALL HEIGHT - MAST LOWERED | 8.4 ft in | 2570 mm |
| WHEELBASE | 8.1 ft in | 2460 mm |
| TURNING RADIUS | 17.7 ft in | 5410 mm |
| GROUND CLEARANCE | 11.8 in | 300 mm |

© 2007-2018 RitchieSpecs Equipment Specifications Ritchie Bros. Auctioneers © | [Términos de uso](#) | [Declaración de Privacidad](#)

OEM specifications are provided for base units. Actual equipment might vary with options.