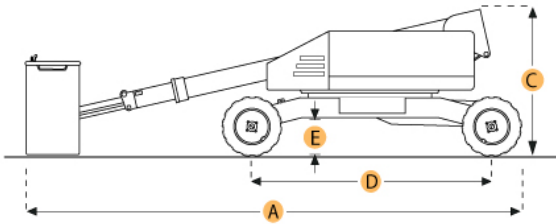


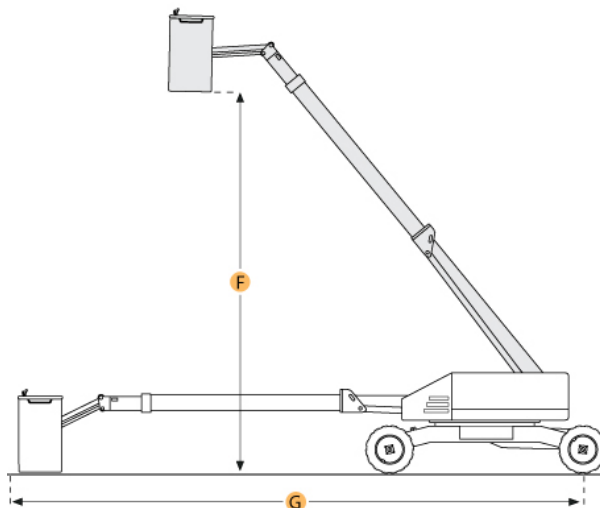
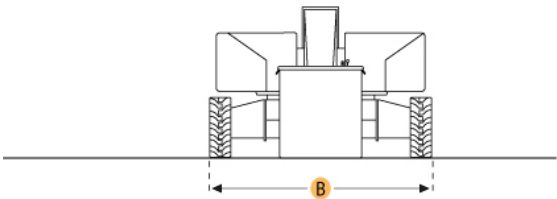
Genie S125 Boom Lift



Selected Dimensions

Dimensiones

A. Longitud total	46.8 ft in	14250 mm
B. Anchura total	8.2 ft in	2490 mm
C. Overall Height - mast lowered	10.1 ft in	3070 mm
D. Distancia entre ejes	12 ft in	3660 mm
E. Despeje desde el suelo	1.7 in	44 mm
Platform		
F. Max Platform Height	125.2 ft in	38150 mm
G. Max Horizontal Reach	80 ft in	24380 mm



Especificaciones

Engine		
Make	Deutz	
Model	TD2011 L04i	
Gross Power	74 hp	55.2 kw
Fuel Type	diesel	
Operational		
Operating Weight	44639.2 lb	20248 kg
Fuel Capacity	39.9 gal	151 L
Hydraulic System Fluid Capacity	54.9 gal	208 L
Max Speed	3 mph	4.8 km/h
Tire Size	445/65D22.5	
Platform		
Max Working Height	131.7 ft in	40150 mm
Max Platform Height	125.2 ft in	38150 mm
Max Horizontal Reach	80 ft in	24380 mm
Max Platform Weight Capacity	500.4 lb	227 kg
Platform Length	96.1 in	2440 mm
Platform Width	35.8 in	910 mm
Platform Rotation	160 degrees	
Dimensions		
Overall Length	46.8 ft in	14250 mm
Overall Width	8.2 ft in	2490 mm
Overall Height - mast lowered	10.1 ft in	3070 mm
Wheelbase	12 ft in	3660 mm
Turning Radius	22.1 ft in	6750 mm
Ground Clearance	1.7 in	44 mm