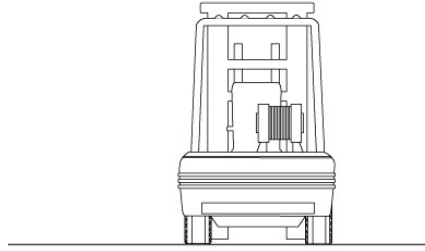
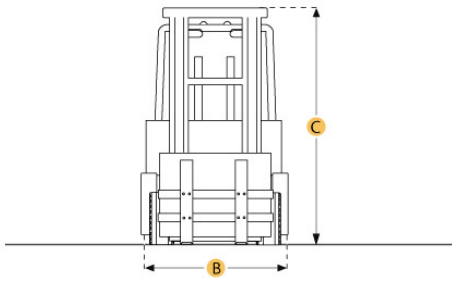


## YALE GDP 90 DB FORKLIFT

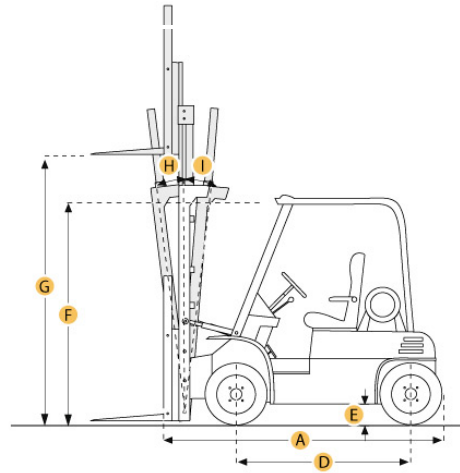


### Dimensions

A. LENGTH TO FORK FACE	14 ft in	4275 mm
B. OVERALL WIDTH	8.2 ft in	2490 mm
C. OVERALL HEIGHT - MAST LOWERED	13.6 ft in	4155 mm
D. WHEELBASE	8.9 ft in	2700 mm
E. GROUND CLEARANCE	10.2 in	260 mm
F. HEIGHT TO TOP OF OVERHEAD GUARD	9.9 ft in	3015 mm
G. MAX FORK HEIGHT	17.7 ft in	5400 mm

### MAST

H. MAST TIP FORWARD	15 degrees
I. MAST TIP REAR	12 degrees



### YALE GDP 90 DB FORKLIFT

#### Specification

##### Engine

MAKE	Cummins	
MODEL	QSB30	
POWER	155.6 hp	116 kw
POWER MEASURED @	2300 rpm	
DISPLACEMENT	360 cu in	5.9 L
NUMBER OF CYLINDERS	6	
FUEL TYPE	Diesel	

##### Operational

OPERATING WEIGHT	27575.4 lb	12508 kg
TIRE TYPE	Pneumatic	
NUMBER OF FRONT WHEELS	4	
NUMBER OF REAR WHEELS	2	
MAX SPEED	17.1 mph	27.5 km/h

##### MAST

LOAD CAPACITY	19841.6 lb	9000 kg
LOAD CENTER	23.6 in	600 mm
MAST TIP FORWARD	15 degrees	
MAST TIP REAR	12 degrees	
LIFT SPEED	94.5 ft/min	28.8 m/min
LOWER SPEED	98.4 ft/min	30 m/min

##### Dimensions

LENGTH TO FORK FACE	14 ft in	4275 mm
OVERALL WIDTH	8.2 ft in	2490 mm
OVERALL HEIGHT - MAST LOWERED	13.6 ft in	4155 mm
MAX FORK HEIGHT	17.7 ft in	5400 mm
WHEELBASE	8.9 ft in	2700 mm
TURNING RADIUS	12.8 ft in	3912 mm
HEIGHT TO TOP OF OVERHEAD GUARD	9.9 ft in	3015 mm
GROUND CLEARANCE	10.2 in	260 mm